

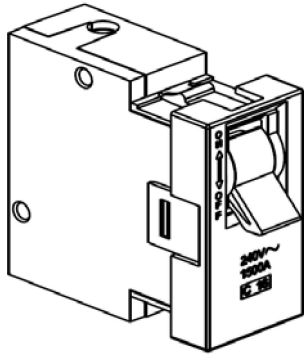
Allzy™

Ref . No. : 681158 , 681258

16A Modular MCB SP 1M

Date : 10/10/2022

Rev.1

**1.USE**

Overload and short circuit protection

2.TYPE

Number of Pole - single pole

Characteristics - C curve

No. of modules : 1

Colour : White and Matt Black

Mounting : Flush and Surface - mounted

3.OVERALL DIMENSIONS

Width : 22.5 mm

Height : 45 mm

Depth : 41 mm

Weight (g) : 58

4.CONNECTION

Terminal : with screws

Capacity : 1.5mm² to 6mm²

Screwdriver : 4mm flat-blade up to 5 mm

5.OPERATION

Switch with Dolly (Knob)

6.TECHNICAL CHARACTERISTICS**6.1 Material Characteristics**

Dolly (Knbb) : Nylon +30% glass field

Bottom Cover : PBT

Top Cover :PBT

Top plate : Polycarbonate

Screws : Brass with silver plating

Terminal : Brass with silver plating

6.2 Electricals Characteristics

Voltage :240V AC

Current : 16A

Short Circuit Capacity - 1.5KA

6.3 MarkingRating ,Voltage , Short circuit capacity, ON-OFF indication ,Connection diagram,
Manufacturing country ,traceability and ISI Marking**7.CONFORMITY - APPROVALS**

As per IS : 60898-1:2002